

# EverGen-L Hybrid

High power solar streetlight



IK07(PV)

IK08



6

YEAR WARRANTY

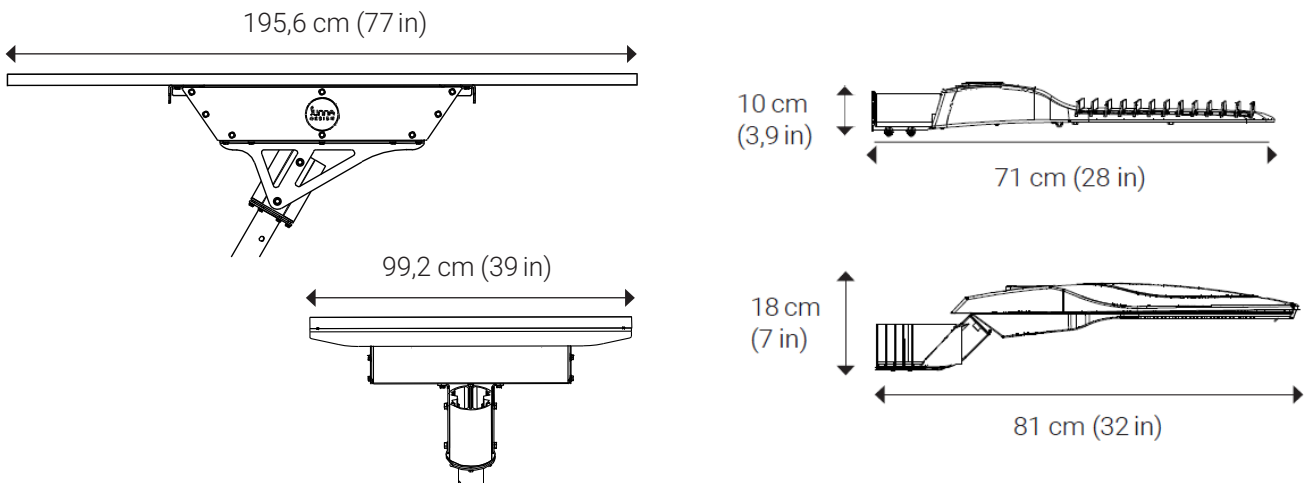


|                             |   |  |
|-----------------------------|---|--|
| LIGHTING                    | LED module  | High efficiency LED - Multichip Technology (IP 66)   |
|                             | Luminous flux   | 3 320 to 26 560 lumens   |
|                             | Power   | 20 to 150 W max (or 2 x 80W max)   |
|                             | Light efficiency  | Up to 166 lm/W   |
|                             | LED1 power (W)  | 20 to 150 W  |
|                             | LED2 power (W)  | 20 to 80 W   |
|                             | Available color temperatures                                  | 2200K, 2700K, 3000K, 4000K, 5700K  |
|                             | Lifespan  | 100 000 hours certified by IESNA LM-90 B-50  |
|                             | Certificates  | In compliance with EN 60598  |
| SOLAR PANELS                | Technology  | Photovoltaic module (Polycrystalline silicon)  |
|                             | Power   | 160, 290 or 350 Wp   |
|                             | Electrical characteristics (per panel)                        | 160Wp : VOC = 23.21 V / VMP = 18.60 V / ISC = 8.98 A / IMP = 8.60 A / Nb of cells = 36   |
|                             |   | 290Wp : VOC = 39.28 V / VMP = 32.47 V / ISC = 9.38 A / IMP = 8.93 A / Nb of cells = 60   |
|                             |   | 350Wp : VOC = 47.12 V / VMP = 38.93 V / ISC = 9.38 A / IMP = 8.99 A / Nb of cells = 72   |
|                             | Dimensions (per panel)  | 160 Wp : 1400x670x30 mm  |
|                             |   | 290Wp : 1640x992x35 mm   |
|                             |   | 350Wp : 1956x992x40 mm   |
|                             | Lifespan  | 25 years   |
| Tilt                        | 15° / 30° / 50°   |  |
| Structure                   | Anodized aluminium alloy                                      |  |
| Certificates                | IEC 61215; IEC 61730; IEC 61701; IEC 62716                    |  |
| BATTERY                     | Technology  | LiFePO4  |
|                             | Voltage   | 25,6V  |
|                             | Capacity  | 676, 845, 1105, 1352, 1775, 2028 or 2534 Wh  |
|                             | Charge operating temperature range                            | 0°C / + 60°C (32°F / +140°F)   |
|                             | Discharge operating temperature range                         | - 20°C / + 65°C (- 4°F / + 149°F)  |
|                             | Lifespan  | > 10 years   |
| Certificates                | EN 62133  |  |
| ELECTRONICS                 | Max power in 1 LED configuration                              | 150W   |
|                             | Total max power in 2 LED configuration                        | 160W (80W max + 80W max)   |
|                             | Waterproofing   | IP65   |
|                             | Operating temperature range                                   | -40°C to +70°C (-104°F to +158°F)  |
|                             | Lifespan  | 15 years   |
|                             | Weight (g)  | 900g   |
| Certificates                | CE; EN61000; EN61547; EN55015; EN62493; EN300328; EN 301489-1 |  |
| GENERAL                     | Materials   | Pre galvanized steel and zinc powder coated steel  |
|                             | SCx (EPA)   | 160Wp : 0.29 m <sup>2</sup> (15°) / 0.56 m <sup>2</sup> (30°) / 0.86 m <sup>2</sup> (50°)  |
|                             |   | 290Wp : 0.50 m <sup>2</sup> (15°) / 0.97 m <sup>2</sup> (30°) / 1.5 m <sup>2</sup> (50°)   |
|                             |   | 350Wp : 0.60 m <sup>2</sup> (15°) / 1.16 m <sup>2</sup> (30°) / 1.79 m <sup>2</sup> (50°)  |
|                             | Fastening   | Recommended pole end diameter : 3.5 inches (89 mm), solar engine spigot outside diameter : 2.99 inches (76 mm), Fixture : horizontal bracket * |
| Weight (without pole in kg) | From 80 kg  |  |
| Smart lighting options      | Remote monitoring   |  |

\* Bracket not supplied

© Sunna Design 2023

## Dimensions



## Available colors



RAL 9010



RAL 8019

## Light distribution

NARROW ROAD



MEDIUM ROAD



AREA & WIDE ROAD



## Hybrid mode technical specifications



Hybrid mode ensures no blackouts all year round by substituting LED power by mains power when the battery is discharged.

### AC/DC POWER SUPPLY COMPATIBILITY

|             |  |   |
|-------------|--|---|
| HYBRID MODE | Minimum supply voltage                 | 25 Vdc  |
|             | Maximum supply voltage                 | 39 Vdc  |
|             | Maximum output power (W)               | Output power +15%   |
|             | Compatibility with SELV power supplies | Recommended manufacturer : MEAN WELL<br>Recommended references : ELG-75-36, ELG-100-36, ELG-150-36 and ELG-200-36 |
|             | Maximum supply current                 | 8,64 Adc  |
|             | Maximum allowable output capacity      | 2200 $\mu$ F  |
|             | Box at the bottom of the pole          | Not supplied  |
|             | Converter                              | AC/DC (not supplied)  |